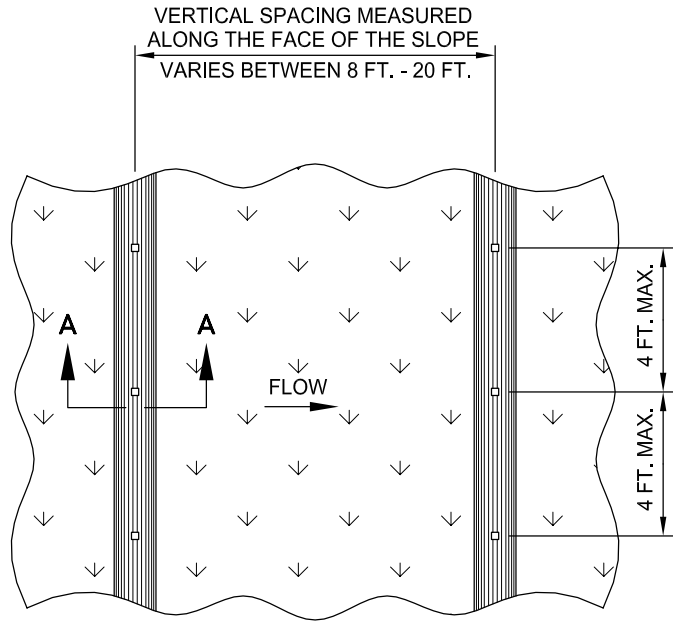
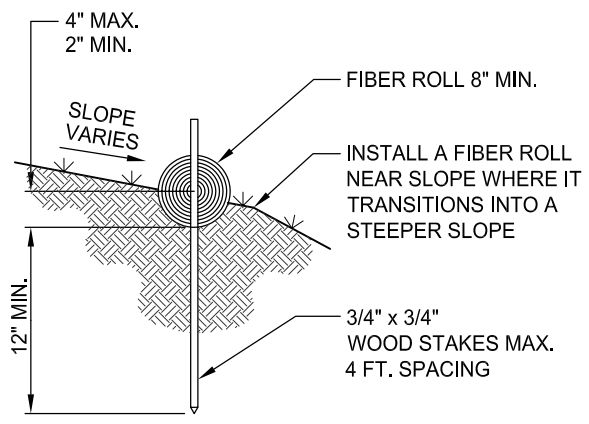


R:\Utilstods\City_Std_Details\Wtr_Quality_Details\Q_40_FiberRolls.DWG



TYPICAL FIBER ROLL INSTALLATION



SECTION A - A

NOTES:

- 1.- INSTALL FIBER ROLLS IN A ROW ALONG A LEVEL CONTOUR.
- 2.- AT ENDS OF A ROW TURN THE LAST TWO FEET UP SLOPE SLIGHTLY.
- 3.- FIBER ROLLS SHALL BE BUTTED TIGHTLY AT THE JOINTS.
- 4.- DO NOT OVERLAP JOINTS.
- 5.- FIBER ROLLS SHALL BE INSPECTED WEEKLY AND AFTER STORMS, AND REPAINTED OR REPLACED AS NEEDED.

REV.	DATE	DESCRIPTION
△		
△		
△		

CITY OF SACRAMENTO
DEPARTMENT OF UTILITIES

FIBER ROLLS

APPR'D BY: *DOB* NO SCALE
DATE: MAY 2007 DWG. NO. **Q - 40**